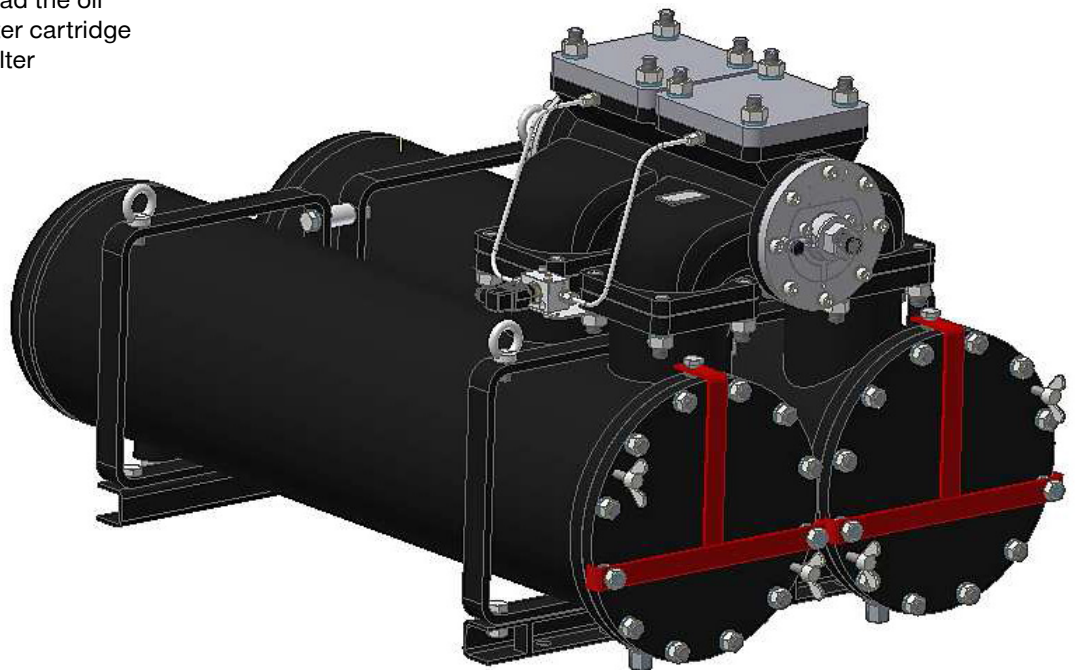


External exchangeable lube oil filter

MAN PrimeServ

Several vessel owners have requested a solution for exchangeable filtration for their lubrication system. The paper filter elements will last longer if the separator is in operation, but the system will allow the existing lube oil separator to be out of service.

MAN ES has designed and released an insert, replacing the existing built-in backflushing filter with a “filter dummy”. This device will lead the oil flow through an external filter cartridge with exchangeable paper filter



External exchangeable lube oil filter

MAN PrimeServ

Key benefits

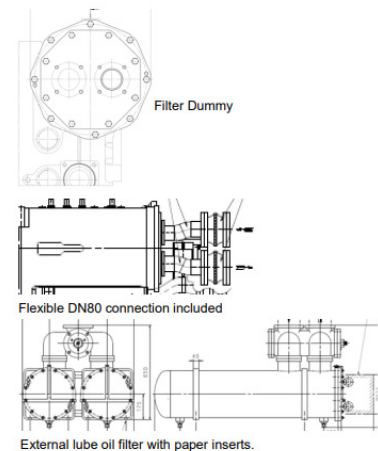
- Order now, install when convenient
- Easy installation
- Easily exchangeable filter inserts
- Installation can be done while in service, only a few hours out of service is necessary

Scope of supply

- Installation of the new “filter dummy”
- Fitting of external filter
- Piping from the engine to wherever the external filter is installed
- Piping and fitting of the external filter can be done during normal operation. This means that the vessel will only be out of service for a few hours, while replacing the existing filter with the “filter dummy” and connecting the piping.
- Piping is not included and is a shipyard/piping workshop task.

Applicability

Applicable for engine type L27/38



Retrofit & Upgrades

PrimeServ Retrofit, Denmark
RetrofitDK@man-es.com

More information

Would you like to know more about the product, and how our upgrade solutions can improve your propulsion configuration? Then do not hesitate to contact your local MAN PrimeServ office to receive more information about the upgrade!

MAN Energy Solutions

MAN PrimeServ Niels Juels Vej 15
9900 Frederikshavn, Denmark
P + 45 96 20 41 00
RetrofitDK@man-es.com
www.man-es.com/primeserv

All data provided in this document is non-binding. This data serves informational purposes only and is not guaranteed in any way. Depending on the subsequent specific individual projects, the relevant data may be subject to changes and will be assessed and determined individually for each project. This will depend on the particular characteristics of each individual project, especially specific site and operational conditions.

Copyright © MAN Energy Solutions. 3010-0452-01 March 2023