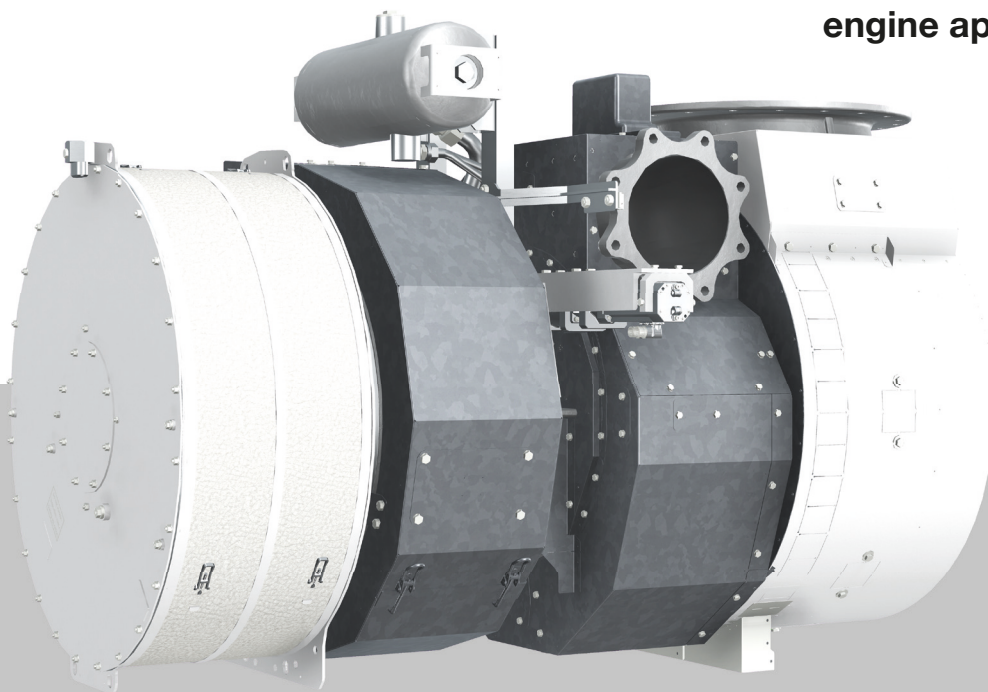


MAN TCR

Turbochargers

MAN TCR turbochargers were created to address the very special challenges faced by HFO, MDO, biofuel and gas engines. Products are available for the entire engine power range, from 350 kW to 7 MW per turbocharger.

MAN TCR turbochargers are IMO Tier III compliant, and represent a robust, versatile modular platform – suitable for a wide variety of high, medium and low speed engine applications.

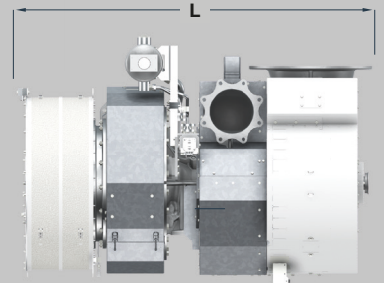
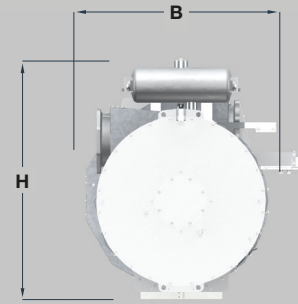


MAN TCR

Turbochargers

Dimensions

| Type | L* in mm | B in mm | H in mm | Weight in kg |
|-----------|----------|---------|---------|--------------|
| MAN TCR10 | 860 | 327 | 410 | 50 |
| MAN TCR12 | 889 | 401 | 496 | 80 |
| MAN TCR14 | 950 | 534 | 623 | 110 |
| MAN TCR16 | 1,091 | 590 | 658 | 180 |
| MAN TCR18 | 1,311 | 730 | 870 | 300 |
| MAN TCR20 | 1,662 | 852 | 970 | 5004 |
| MAN TCR22 | 1,990 | 1,068 | 1,320 | 1,050 |



Supercharged engine output Max. permissible

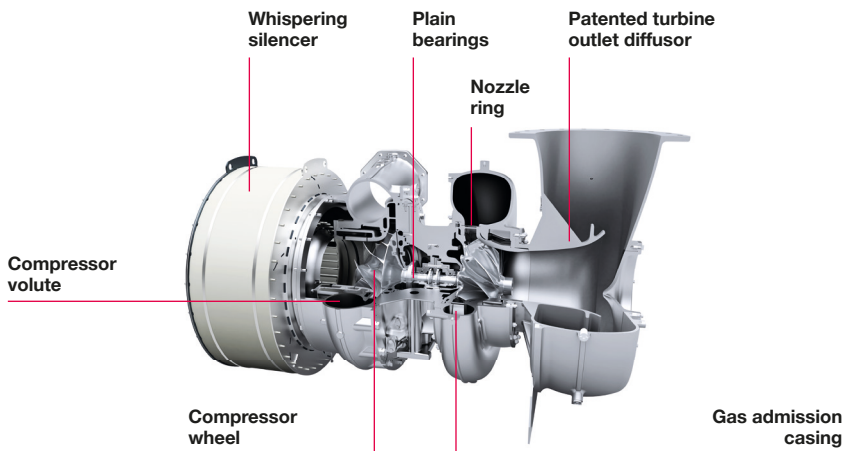
| Type | Two-stroke [kW] | Four-stroke [kW] | Speed [rpm] |
|-----------|-----------------|------------------|-------------|
| MAN TCR10 | - | 600 | 85,000 |
| MAN TCR12 | - | 880 | 70,900 |
| MAN TCR14 | - | 1,300 | 58,700 |
| MAN TCR16 | - | 1,850 | 48,800 |
| MAN TCR18 | 2,700 | 2,750 | 40,300 |
| MAN TCR20 | 4,000 | 4,000 | 33,400 |
| MAN TCR22 | 7,000 | 6,850 | 25,600 |

Specific air consumption (le) 7.0kg/kWh 6.5kg/kWh

* Length with silencer

All weights and dimensions are for guidance (project-specific requirements can lead to deviating values).
More information available upon request.

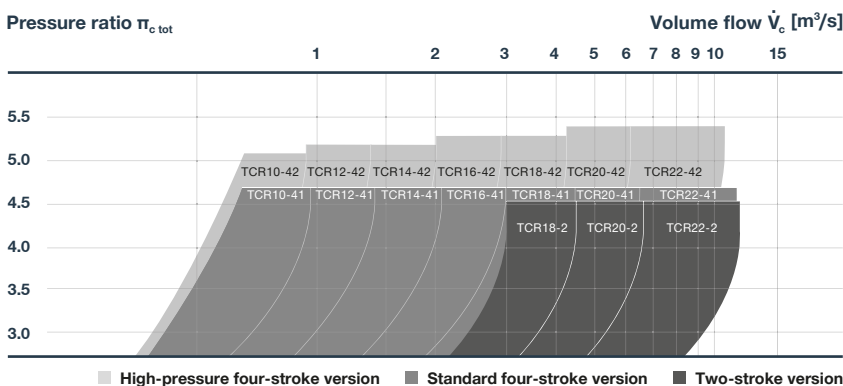
Last updated June 2023



The latest generation of MAN TCR turbochargers offers reduced size and weight while delivering greater efficiency, performance and reliability. Advanced materials ensure extended overhaul intervals, easier maintenance and a longer life.

Applications

- Marine propulsion
- Marine GenSets
- Power generation
- Construction
- Mining
- Off-road vehicles
- Locomotives
- Mechanical drives
- Industrial
- Offshore



MAN Energy Solutions

86224 Augsburg, Germany

P + 49 821 322-0

F + 49 821 322-3382

turbochargers@man-es.com

www.turbocharger.man-es.com