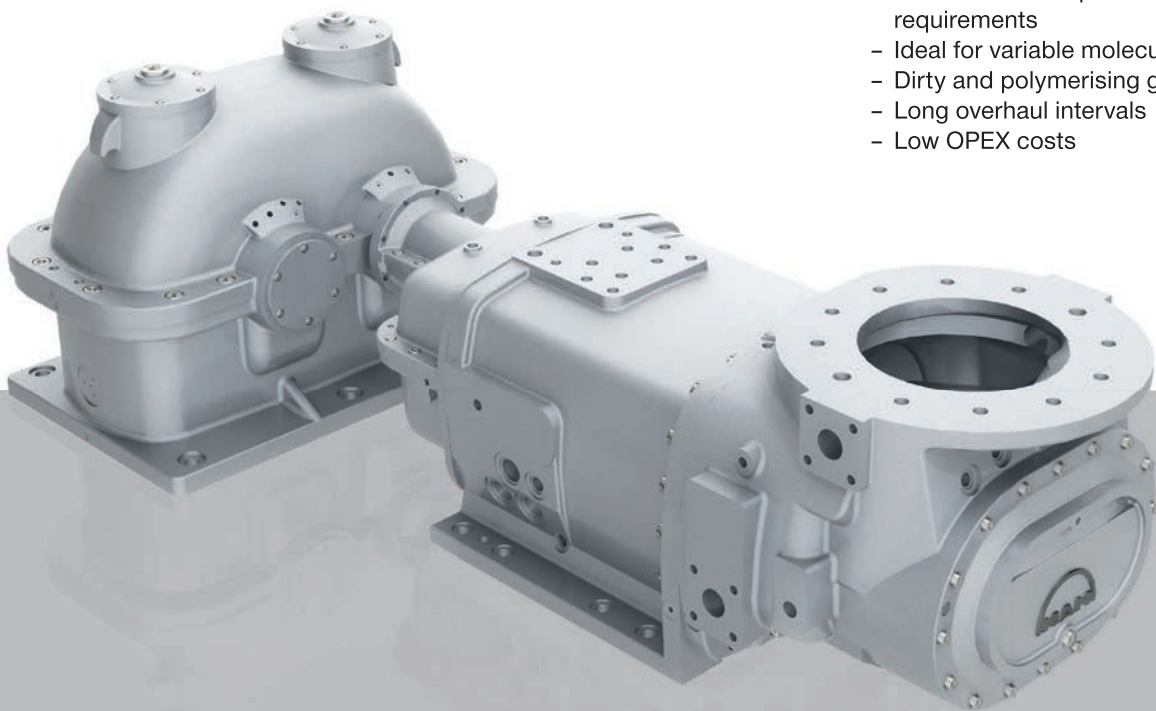


Oil-free process gas screw compressors

Benefits at a glance

- Oil free compression
- Highest availability and reliability based on very robust design
- Customized for specific process requirements
- Ideal for variable molecular weights
- Dirty and polymerising gases
- Long overhaul intervals
- Low OPEX costs



Experience, reliability and advantages

MAN Energy Solutions is the leading manufacturer and service provider of oil free process gas screw compressors worldwide. A large number of units have been installed in refineries, offshore applications, chemical industries and other challenging applications requiring highest reliability.

Whether in regard to highest discharge pressure, largest volume flow or lowest suction temperature – MAN Energy Solutions is the leading manufacturer for oil free process gas screw compressors.

Advantages

Due to their robust design, MAN screw compressors have outstanding advantages when operating with the following gases:

Gases with low mole weight

As positive displacement compressors they are ideal for light gases like hydrogen.

Gases with varying mole weight

Therefore they are an ideal technology for flare gas or recycle compressor applications.

Dirty and polymerizing gases

MAN screw compressors have a very rigid rotor and casing design. They can handle extremely dirty and dusty gases.

MAN screw compressors cover the full spectrum of oil & gas and Industrial applications including:

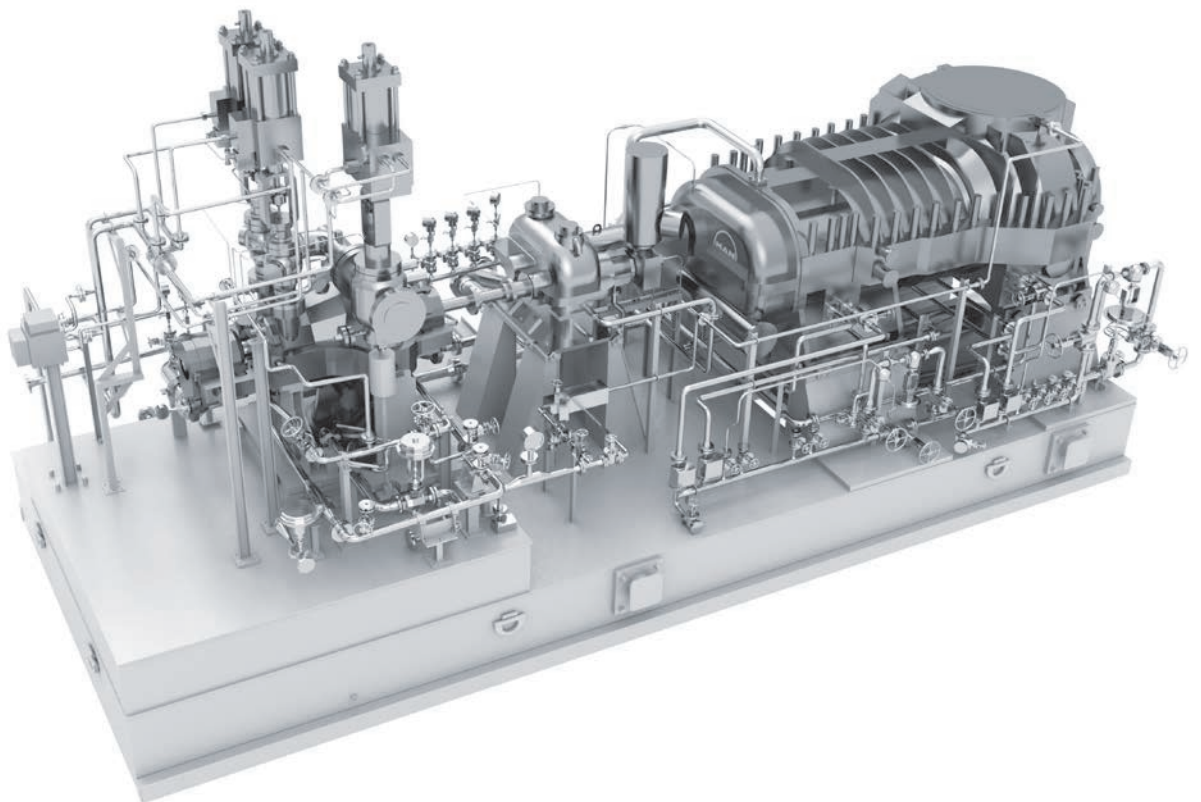
- Oil & gas production
- Refinery
- Flaregas recovery
- Butadiene extraction
- Styrene monomer production
- Hydrogen purification
- Power generation
- Soda Ash production
- Steel production (Coke Oven Gas)
- Refrigeration
- Hydrogen Sulfide
- Methylchloride
- Chlorine
- Hydrocarbon Mix

Modular and comprehensive package design

The modular arrangement concept of the MAN screw compressor packages provides optimal adaption to customer's individual application needs.

Depending on the customer demands, all main components such as the compressor stages with drive and gearbox as well as oil supply and sealing devices are supplied mounted on a common base frame.

Combining world class technology and quality with front running digital features, MAN Energy Solutions is able to supply a complete package for easy and rapid installation and commissioning at site - leading to reduced manpower, time and costs to an absolute minimum during entire life time.



Get more out of your offshore operations

In the upstream oil and gas offshore business and its related applications, the reliability of the machinery is of the essence.

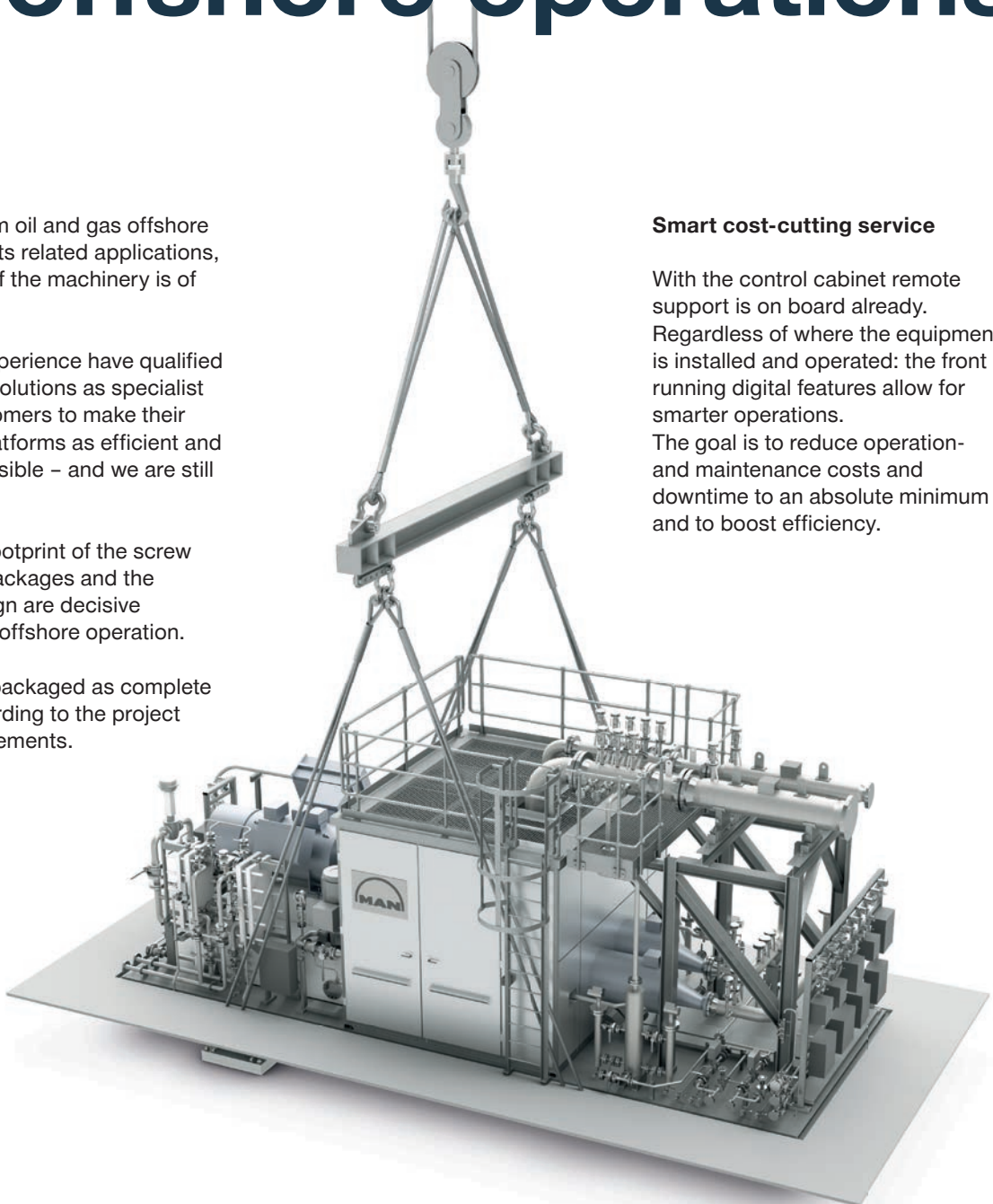
Decades of experience have qualified MAN Energy Solutions as specialist assisting customers to make their FPSOs and platforms as efficient and reliable as possible – and we are still improving.

The efficient footprint of the screw compressor packages and the single-lift design are decisive advantages in offshore operation.

The units are packaged as complete modules according to the project specific requirements.

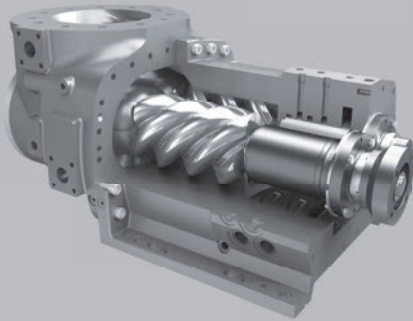
Smart cost-cutting service

With the control cabinet remote support is on board already. Regardless of where the equipment is installed and operated: the front running digital features allow for smarter operations. The goal is to reduce operation- and maintenance costs and downtime to an absolute minimum – and to boost efficiency.



Screw compressors

Overview of portfolio of oil-free screw compressors

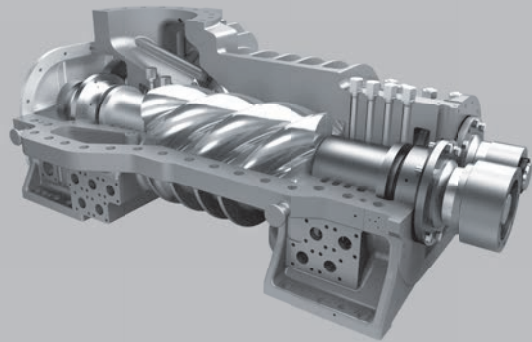


CP series

The vertical split casing allows high pressure operation.

Volume flows:
200 – 20,000 m³/h / 120 – 12,000 cfm

Discharge pressure:
≤ 52 bar / ≤ 750 psia

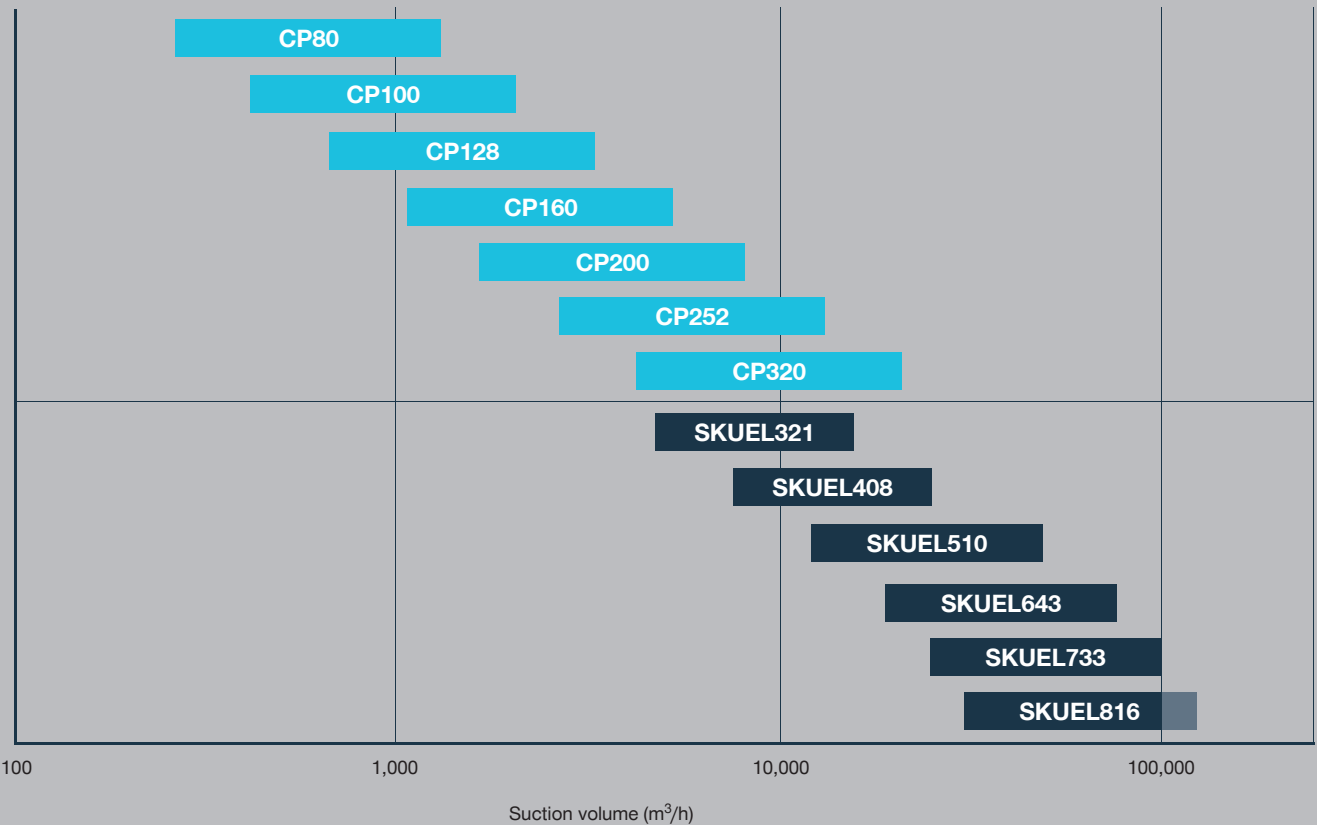


SKUEL series

Designed for huge volume flows. Horizontal split casing allows easy maintenance even for huge compressor sizes.

Volume flows:
4,000 – 100,000 m³/h / 2,400 – 59,000 cfm

Discharge pressure:
≤ 16 bar / ≤ 230 psia



MAN Energy Solutions

86224 Augsburg, Germany

P + 49 821 322-0

F + 49 821 322-3382

info@man-es.com

www.man-es.com

MAN Energy Solutions

46145 Oberhausen, Germany

P + 49 208 692-9465

turbomachinery@man-es.com

www.man-es.com

All data provided in this document is non-binding. This data serves informational purposes only and is not guaranteed in any way. Depending on the subsequent specific individual projects, the relevant data may be subject to changes and will be assessed and determined individually for each project. This will depend on the particular characteristics of each individual project, especially specific site and operational conditions.