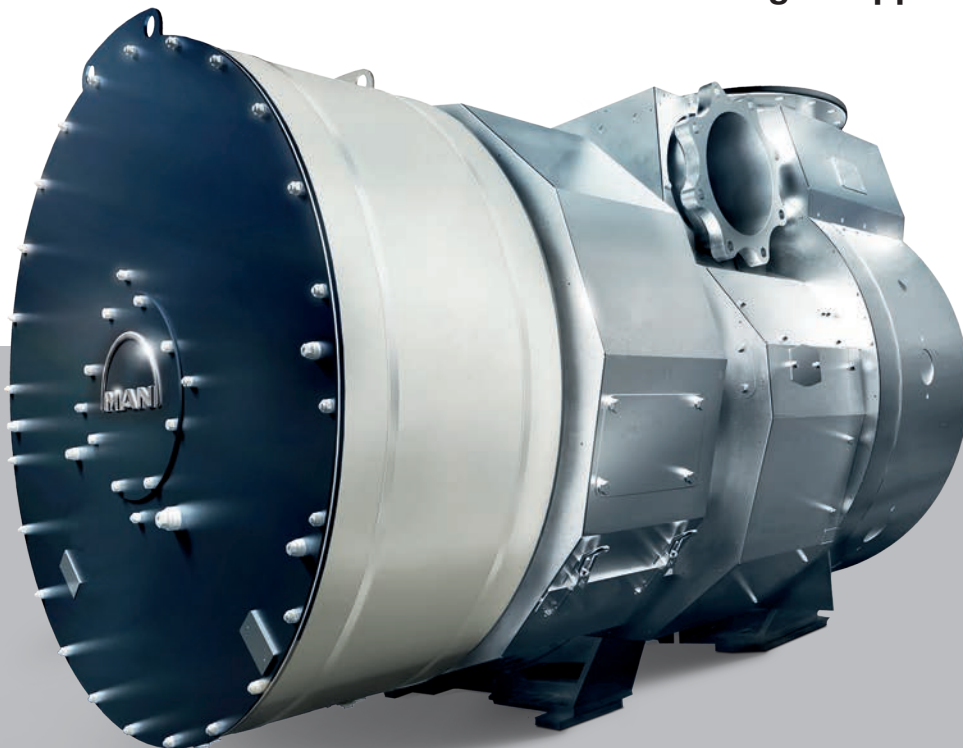


MAN TCR

Turbochargers

MAN TCR turbochargers were created to address the very special challenges faced by HFO, MDO, biofuel and gas engines. Products are available for the entire engine power range, from 350 kW to 7 MW per turbocharger.

MAN TCR turbochargers are IMO Tier III compliant, and represent a robust, versatile modular platform – suitable for a wide variety of high, medium and low speed engine applications.



MAN TCR

Turbochargers

Dimensions

Type	L* in mm	B in mm	H in mm	Weight in kg
MAN TCR10	860	327	410	48
MAN TCR12	889	401	496	78
MAN TCR14	950	534	623	108
MAN TCR16	1,091	590	658	175
MAN TCR18	1,311	730	870	306
MAN TCR20	1,662	852	970	504
MAN TCR22	1,990	1,068	1,320	1,044

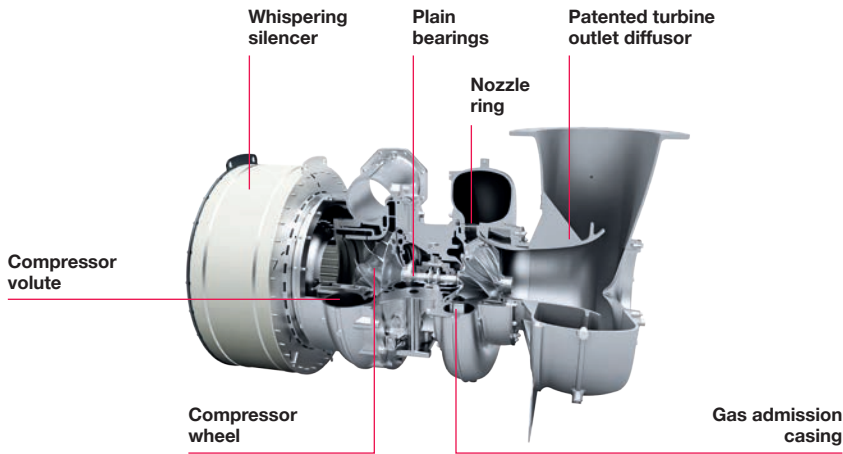
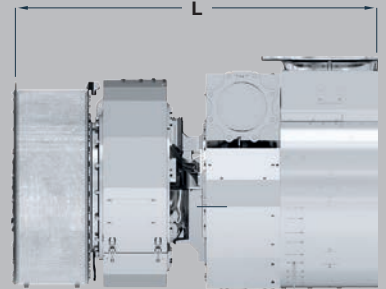
Type	Supercharged engine output		Max. permissible
	Two-stroke [kW]	Four-stroke [kW]	Speed [rpm]
MAN TCR10	-	600	85,000
MAN TCR12	-	880	70,900
MAN TCR14	-	1,300	58,700
MAN TCR16	-	1,850	48,800
MAN TCR18	2,700	2,750	40,300
MAN TCR20	4,000	4,000	33,400
MAN TCR22	7,000	6,850	25,600

Specific air consumption (le) 7.0kg/kWh 6.5kg/kWh

* Length with silencer

All weights and dimensions are for guidance (project-specific requirements can lead to deviating values). More information available upon request.

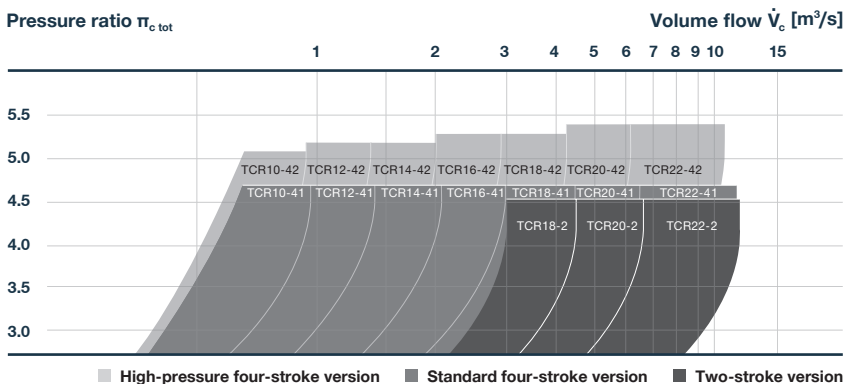
Last updated July 2018



The latest generation of MAN TCR turbochargers offers reduced size and weight while delivering greater efficiency, performance and reliability. Advanced materials ensure extended overhaul intervals, easier maintenance and a longer life.

Applications

- Marine propulsion
- Marine GenSets
- Power generation
- Construction
- Mining
- Off-road vehicles
- Locomotives
- Mechanical drives
- Industrial
- Offshore



MAN Energy Solutions

86224 Augsburg, Germany

P + 49 821 322-0

F + 49 821 322-3382

turbochargers@man-es.com

www.turbocharger.man-es.com