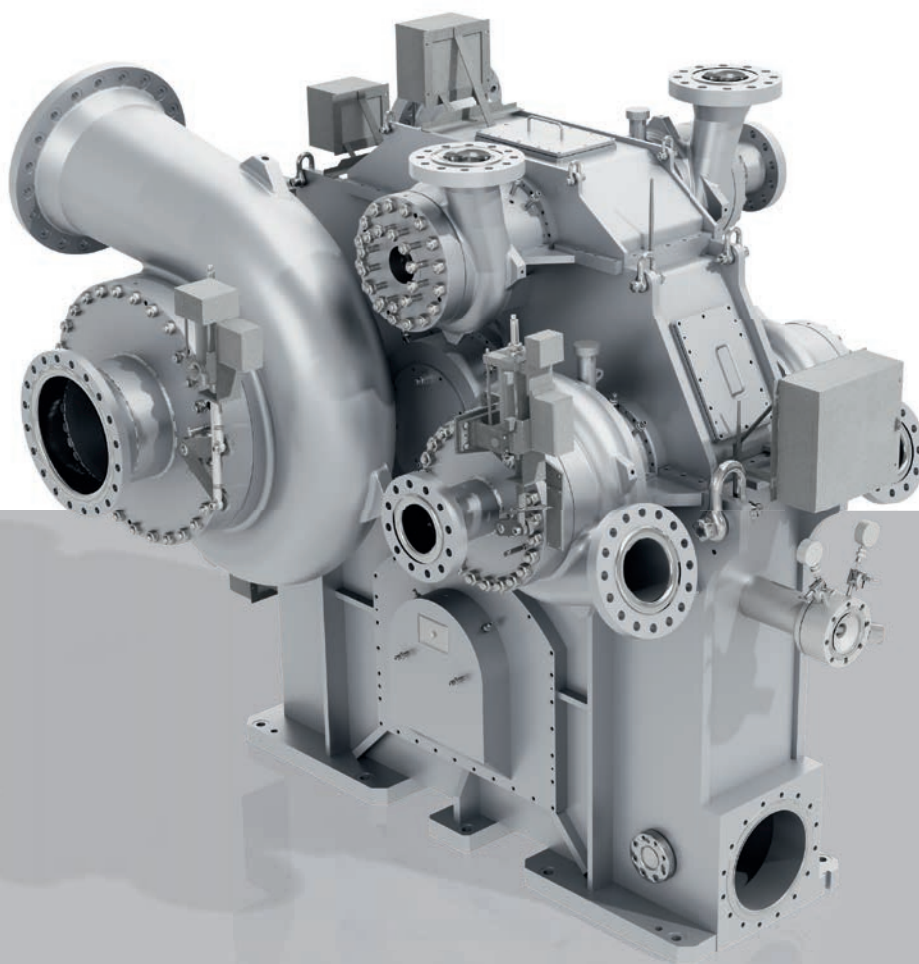


RG integrally geared compressors



High efficient multi-shaft centrifugal compressors

Our integrally geared centrifugal compressors feature a multi-stage arrangement allowing up to 5 pinions. All shafts are equipped with maintenance-free tilting pad bearings. The RG compressor can contain up to ten impeller stages. This enables a very compact design, compression of a wide range of gases, and high pressure ratio.

With improved impeller design, optimized pinion speeds and tailored aero-dynamics, our RG guarantees the absolute highest level of efficiency. The compressor inlet flow is typically controlled by inlet guide vanes.

To achieve minimum on-site installation times, we offer a complete package option for most applications. It consists of compressor core unit, driver, process gas coolers, lube oil system, process piping and auxiliaries. For shaft sealing, carbon rings are standard, but labyrinth seals and dry gas seals can be used as well.

Modular configuration

Configuration range from fully standardized modular air booster and fuel gas compressors, to custom manufactured high pressure booster and CO₂ compressors.

Delivery times can be shortened significantly by using standardized preassembled component designs with proven performance and reliability track records.

Applications

- Industrial gases (Air separation, paper, etc.)
- Oil & Gas (CCS, EOR, gas transport, natural gas, etc.)
- Refinery (IGCC, Coal-to-Liquids, GTL syngas, etc.)
- Chemicals & Petrochemicals (Vapor, heat pump, propane, dehydration, methanol, etc.)
- Fertilizer industry (Ammonia, urea, nitric acid)
- Iron & Steel, mining (Blast furnace, etc.)
- Power generation (Fuel gas supply)

Base characteristics

Multistage design

- Full accordance with API
- Individual speed for each pinion (3,000 – 50,000 rpm)
- Multiple services within one unit
- Intercooling between each stage
- Direct drive shaft for steam turbine
- Max. number of impeller stages: 10
- Max. number of pinions: 5
- Open and closed impellers with welded or brazed shrouds or integrally milled
- Impeller sizes: from 90 to 1,700 mm

Flexible Control System

- Anti surge system for multiple stage groups
- Performance control
- Inlet guide vanes at first or at several compressor stages
- Optionally, variable speed control and suction throttling or combinations

At a glance

Features

Impeller speed individually selectable for each pair

Modular component packages available

Modular sealing systems – several sealing options, e.g. carbon ring, single, double and tandem dry gas seals and labyrinth seals

Direct or pinion drive

Handles a wide range of gases: dry and atmospheric air, carbon oxide, carbon dioxide, water-vapor, natural and fuel gas, nitrogen, helium, propane, propylene (heat pump), etc.

Individual process stages can be controlled within one casing

Combined applications within one casing e. g.: air, dry air and nitrogen

Integrated interstage coolers (water) beneath compressor skid

Intercooling possible after each stage

Advanced impeller technology for higher pressures

Own gear manufacturer

Benefits

Optimum flow coefficient, cost and energy savings

Short delivery times, quick assembly

High degree of flexibility in applications

Maximum driver flexibility – electric motor, steam turbine or gas turbine drivers are possible

High degree of flexibility in applications

Cost and space efficient operation

Cost and space efficient operation

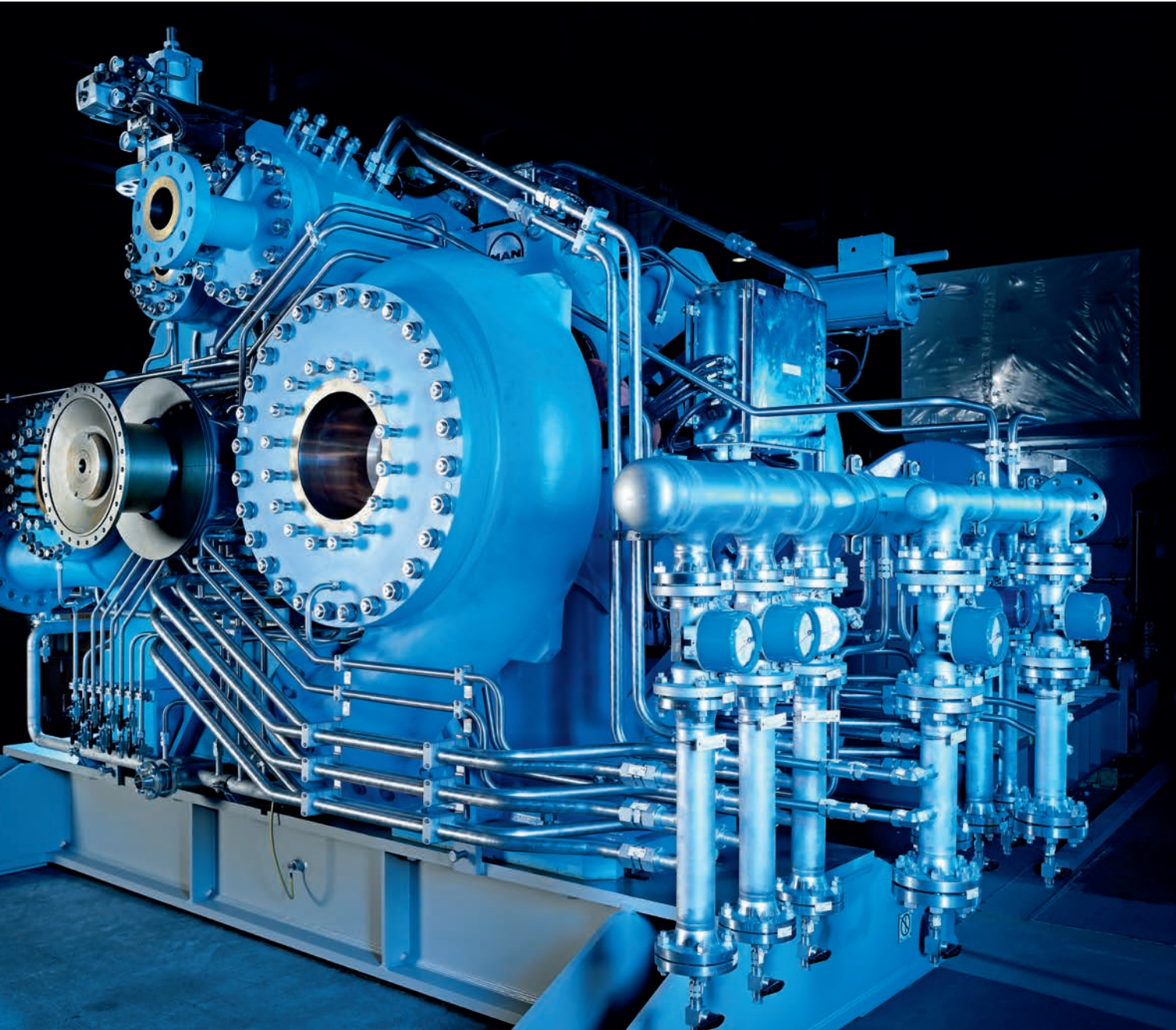
Compact design, small footprint, easy installation

Less external driving power required

Compression up to 250 bar

Complete core unit manufacturer





RG integrally geared compressors

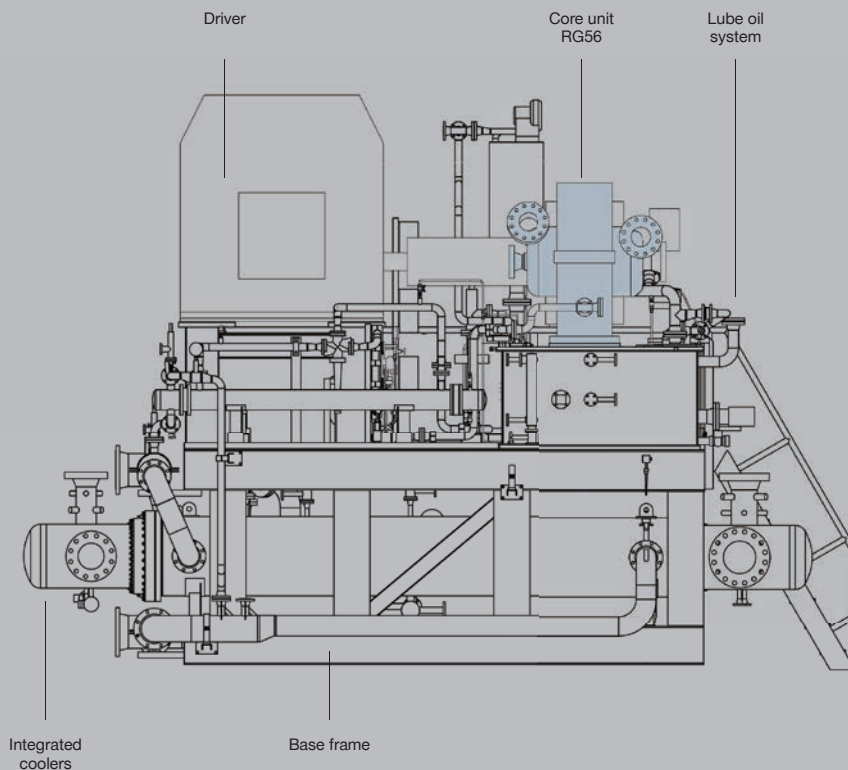
Technical data

Driver	Electric motor, steam turbine or gas turbine
Min. suction pressure [bara], in compliance with API	0.03
Discharge pressure [bara]	Max. 250
Flow rate [m ³ /h]	Max. 550,000
Power range [MW]	Up to 60
Efficiency	> 80% overall efficiency possible
Number of pinions	Up to 5
Number of impellers	Up to 10

Type*		RG25	RG40	RG45	RG50	RG56	RG80	RG100	RG140	RG160
Length	mm	2,700	3,000	3,400	3,700	4,000	4,500	5,500	-	-
Width	mm	3,600	3,600	3,600	3,600	3,600	3,600	3,600	> 3,600	> 7,000
Height	mm	2,000	2,500	3,000	3,300	3,500	4,000	5,000	7,000	> 7,000
Weight	t	15	30	40	45	50	60	> 60	> 60	> 130
Flow	Am ³ /h	10,000	25,000	30,000	40,000	50,000	100,000	200,000	350,000	550,000
Power	MW	4	15	18	20	20	20	35	50	60

*Dimensions related to core unit

Typical arrangement – RG56 skid incl. cooler



MAN Energy Solutions

86224 Augsburg, Germany

P + 49 821 322-0

F + 49 821 322-3382

info@man-es.com

www.man-es.com

MAN Energy Solutions

Egellsstr. 21

13507 Berlin, Germany

P + 49 30 440402-0

F + 49 30 440402-2000

All data provided in this document is non-binding. This data serves informational purposes only and is not guaranteed in any way. Depending on the subsequent specific individual projects, the relevant data may be subject to changes and will be assessed and determined individually for each project. This will depend on the particular characteristics of each individual project, especially specific site and operational conditions.

Copyright © MAN Energy Solutions.
D02085021EN Printed in Germany 07191.0